

N6-5A Hinge

Surface mount · Stainless steel 304

Features

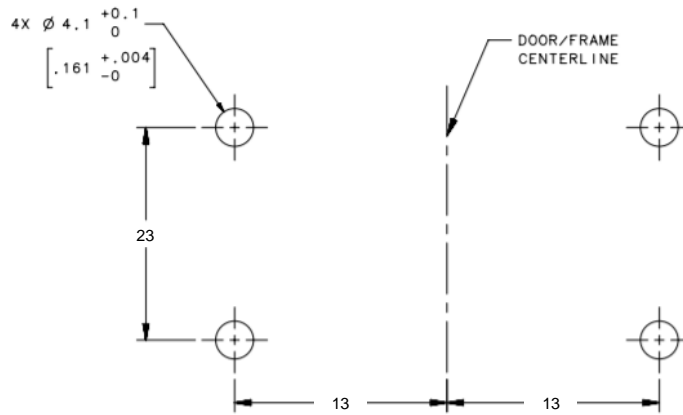
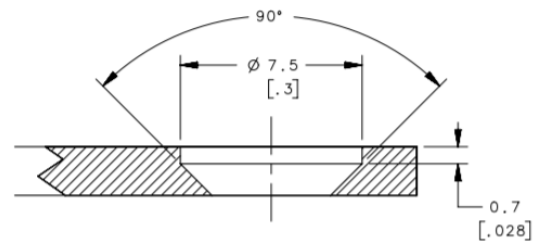
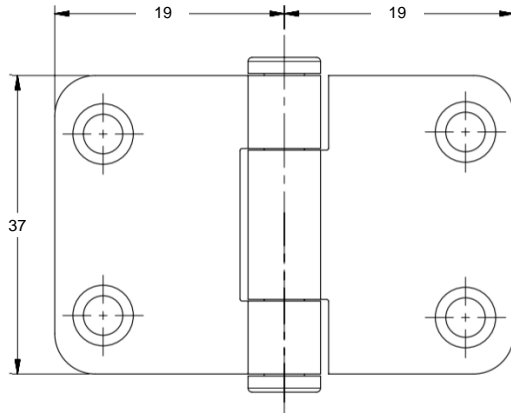
- Stamped hinge construction

Material

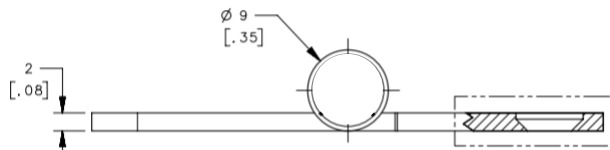
- Stainless steel 304, polished

Notes

- Designed to be used with M4 or no. 8 flathead machine screw or equivalent



PANEL PREPARATION



Part No.

N6-5A-4V4-24